

WAWA series KTM-505 is a compact, energy-efficient **LED tower light** with a modular 50mm design, offering selectable light modes and a built-in buzzer for clear, reliable signaling in industrial environments.

Features

- Modular 50mm design for flexible installation
- High-brightness LED with selectable light styles
- Available in Red, Yellow, Green, Blue, White
- Durable PC housing with high light transmittance
- Built-in buzzer with sound level $\geq 90\text{dB}$
- Low maintenance and energy efficient



Mounting Bracket



BS-2
L- angle
with Bracket



BS-3
Pole Mounting
with Bracket



Dimension (mm)

Tower Light	Mounting	Mounting Bracket
		BS-2
		BS-3

Specifications

Model	Number of layer	LED Colour*
KTM-505-1-R	1 Layer	R
KTM-505-2-RG	2 Layer	R,G
KTM-505-3-RYG	3 Layer	R, Y, G
KTM-505-4-RYGB	4 Layer	R, Y, G, B
KTM-505-5-RYGBW	5 Layer	R,Y, G, B, W

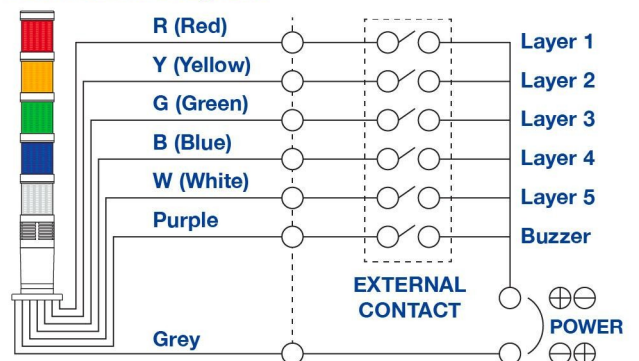
Power : 110-240VAC; 12-24VAC/DC

LED Colour* : R (red), Y (yellow), G (green), B (blue), W (white)

Light Style : switch selected function style - steady, strobe, flashing, rotating

Part	Description	Specification
	cover	Material: ABS Size: Ø52mm
	LED module	Material: PC Color: Red, Yellow, Green, Blue, White Size: Ø52mm x 56
	base module with buzzer	Material: ABS Size: Ø52mm x 56 Volume: 90dB
	mounting	Material: ABS

Connection Diagram



*The information above is subject to change at any time without notice.