

# MS8M-100S

single phase  
energy kWh meter



Ideal for sub-billing and cost allocation applications, the **MS8M-100S** energy meters deliver a cost-effective and competitively positioned range of single-phase DIN rail-mounted energy meters.

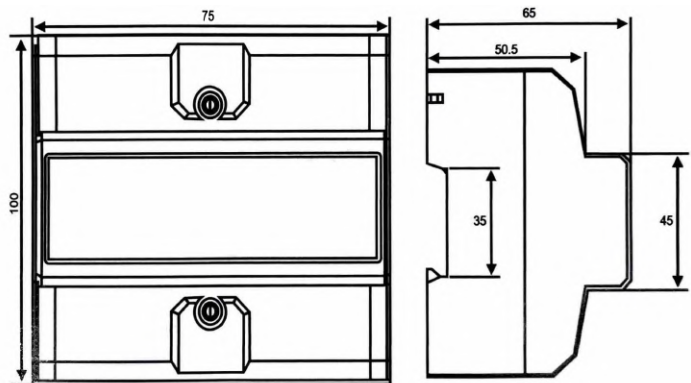
- Easily track power consumption in different sectors, units, workshops, and more for effective energy monitoring.
- Streamline your electrical infrastructure management and maximise power efficiency.
- Serve a wide range of applications across businesses, industries, and residential environments, catering to diverse energy management needs.

## TECHINAL SPECIFICATIONS

single phase energy kWh meter

Model	MS8M-100S
Direct Connection	10(100)A
Display Capacity	99999.9kWh
Voltage Range (L-N)	154-288VAC
Operating Frequency	50/60Hz
Test Output Flash Rate	1600 impulses per kWh
Maximum Wiring Capacity	35mm <sup>2</sup>
Consumption	<10 VA
Degree of Protection	IP20
Temperature	-10°C ~ +50°C
Active Energy Accuracy	CLASS 1
Digital Outputs	1 P/O
International Standard	IEC62053-21

### Dimension(mm)



### Installation:

