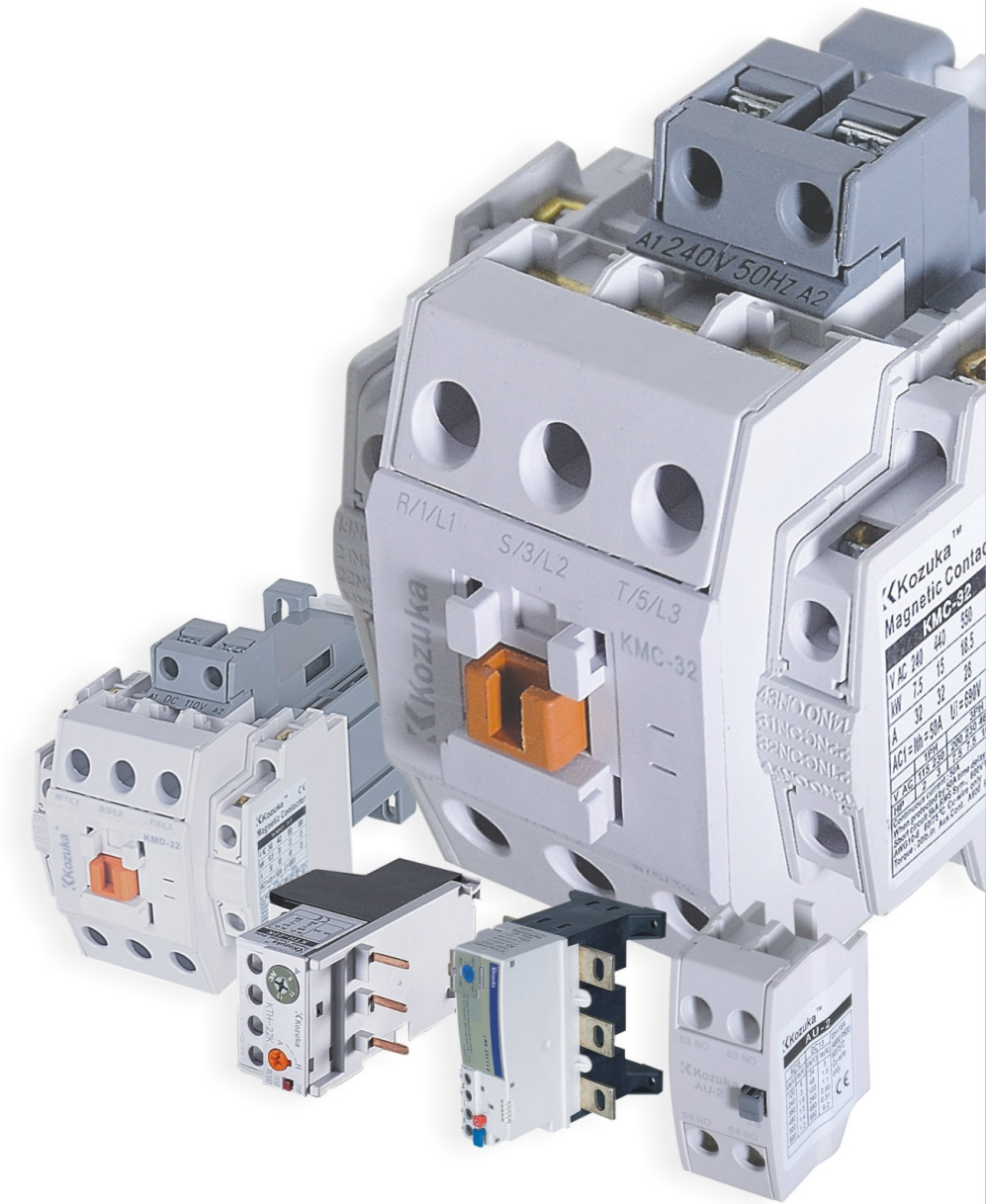




- ◇ KMC series Magnetic Contactor (AC Operated)
- ◇ KMD series Magnetic Contactor(DC Operated)
- ◇ KTH series Thermal Overload Relay
- ◇ KAZ series Thermal Overload Relay Mounting Unit
- ◇ KMI series Mechanical Interlock Unit
- ◇ AU series Auxiliary Contact Block
- ◇ KCL series Contactor Coil

Distributor by

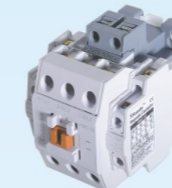


CONTENTS

KMC series Magnetic Contactor (AC Operated)	01
KMD series Magnetic Contactor(DC Opreated)	05
KTH series Thermal Overload Relay	07
KAZ series Thermal Overload Relay Mounting Unit	10
KMI series Mechanical Interlock Unit	10
AU series Auxiliary Contact Block	12
KCL series Contactor Coil	13



KMC-9



KMC-32



KMC-65



KMC-150



KMC-300



KMC-600

KMC series Magnetic Contactor (AC Operated)

Applications

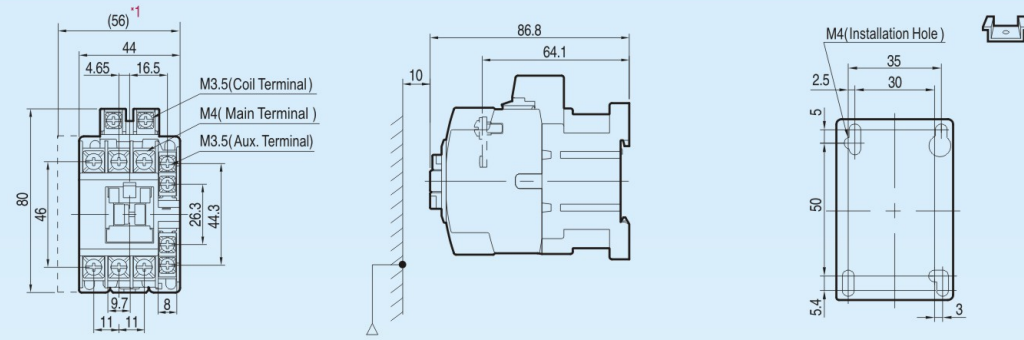
KMC series AC Contactor is suitable for using in the circuits up to the rated voltage 690VAC 50Hz or 60Hz, Rated current up to 800A, For making & breaking, Frequently starting & machine-interlocking device etc, It becomes the delay contactor, Mechanical inter-locking contactor, Star-delta starter, With the thermal overload relay, It is combined into the electromagnetic starter. The contactor is produced according to IEC60947-4.

SPECIFICATIONS

Type	AC1 duty	AC3 duty				Aux.contact
		200-240V	380-440V	500-550V	690V	
KMC-9	25A	2.5kW 11A	4kW 9A	4kW 7A	4kW 5A	1 NO 1NC
KMC-12	25A	3.5kW 13A	5.5kW 12A	7.5kW 12A	7.5kW 9A	
KMC-18	40A	4.5kW 18A	7.5kW 18A	7.5kW 13A	7.5kW 9A	
KMC-22	40A	5.5kW 22A	11kW 22A	15kW 22A	15kW 18A	
KMC-32	50A	7.5kW 32A	15kW 32A	18.5kW 28A	18.5kW 21A	
KMC-40	60A	11kW 40A	18.5kW 40A	22kW 32A	22kW 25A	2 NO 2NC
KMC-50	80A	15kW 55A	22kW 50A	30kW 43A	30kW 33A	
KMC-65	100A	18.5kW 65A	30kW 65A	33kW 60A	37kW 47A	
KMC-75	110A	22kW 75A	37kW 75A	37kW 64A	45kW 47A	
KMC-85	135A	25kW 85A	45kW 85A	45kW 75A	45kW 52A	
KMC-100	150A	30kW 105A	55kW 105A	55kW 85A	55kW 65A	2 NO 2NC
KMC-125	150A	37kW 125A	60kW 120A	60kW 90A	60kW 70A	
KMC-150	200A	40kW 150A	75kW 150A	80kW 100A	90kW 80A	
KMC-180	230A	55kW 180A	90kW 180A	110kW 180A	110kW 120A	
KMC-220	260A	75kW 250A	132kW 250A	132kW 200A	132kW 150A	
KMC-300	350A	90kW 300A	160kW 300A	160kW 250A	200kW 220A	2 NO 2NC
KMC-400	420A	125kW 400A	220kW 400A	225kW 350A	250kW 300A	
KMC-600	660A	190kW 630A	330kW 630A	330kW 500A	330kW 420A	
KMC-800	800A	220kW 800A	440kW 800A	500kW 720A	500kW 630A	

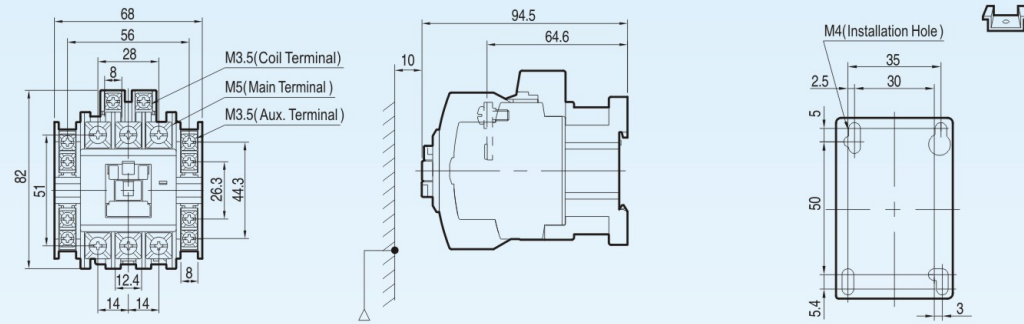
Magnetic Contactor (AC Operated)

- KMC-9
- KMC-12
- KMC-18
- KMC-22

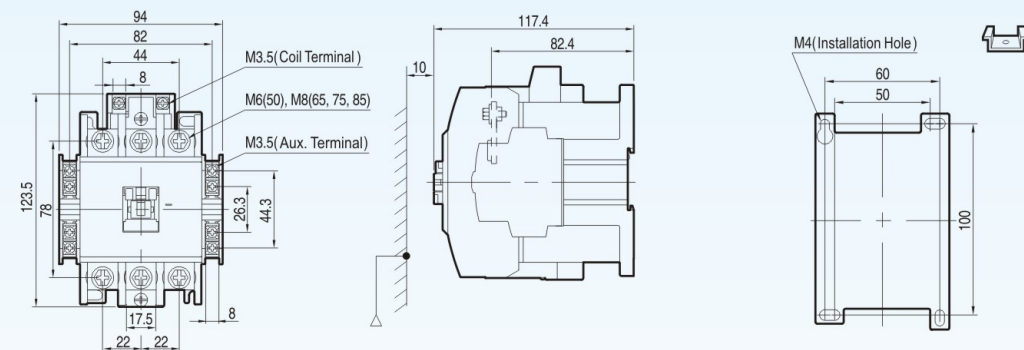


*1: Aux. Side mounted

- KMC-32
- KMC-40

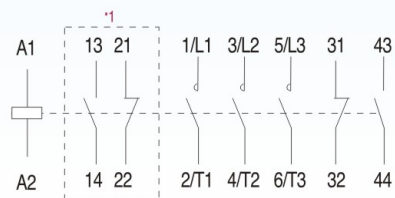


- KMC-50
- KMC-65
- KMC-75
- KMC-85



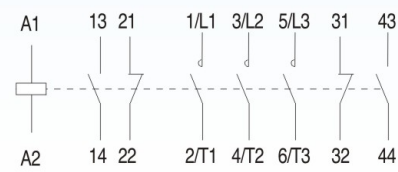
Circuit Diagram

KMC-9~22



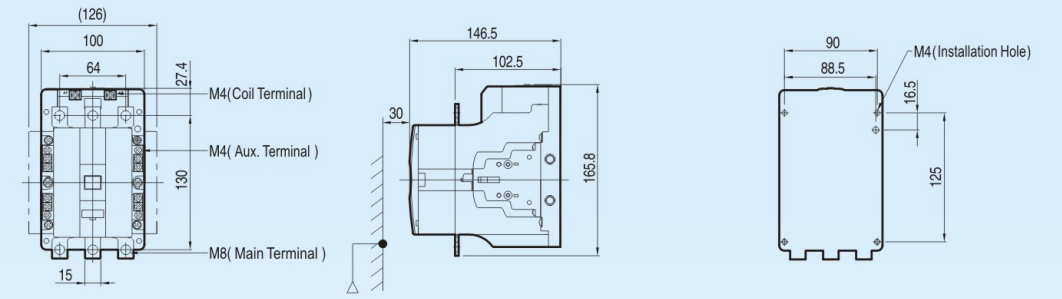
*1: Aux. Side mounted

KMC-32~85

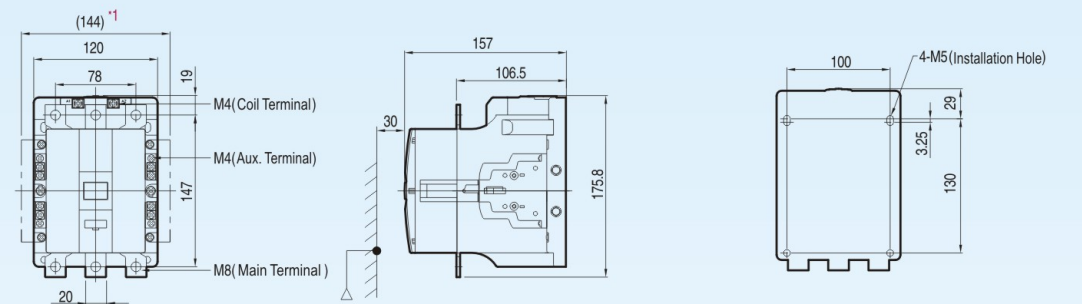


Magnetic Contactor (AC Operated)

- KMC-100
- KMC-125

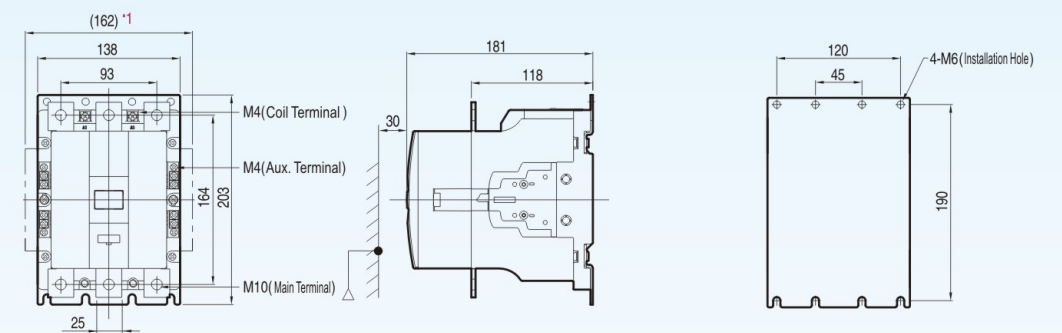


- KMC-150



*1: Aux. Side mounted

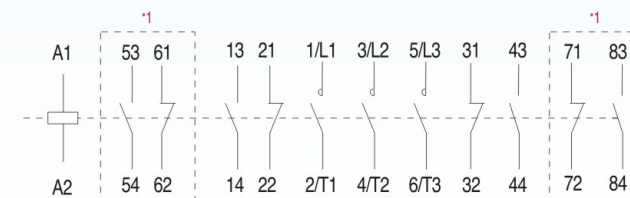
- KMC-180
- KMC-220



*1: Aux. Side mounted

Circuit Diagram

KMC-100~220

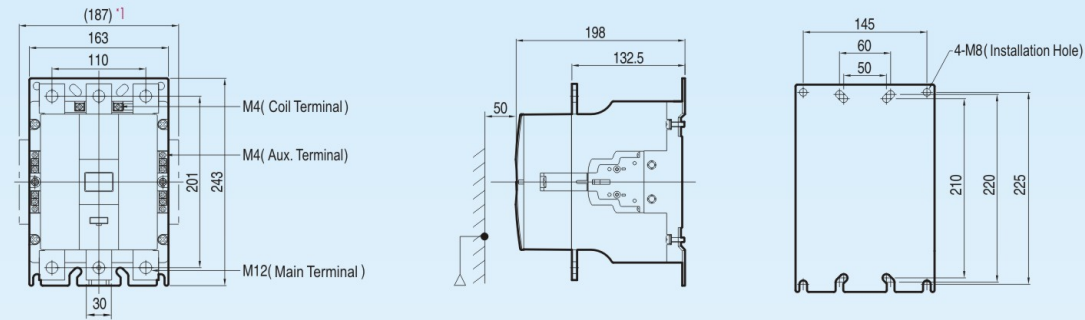


*1: Aux. Side mounted

Magnetic Contactor (AC Operated)

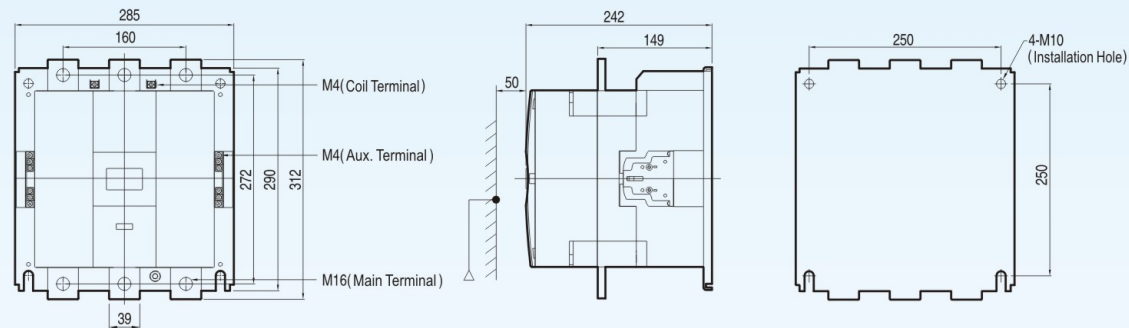
KMC-300

KMC-400



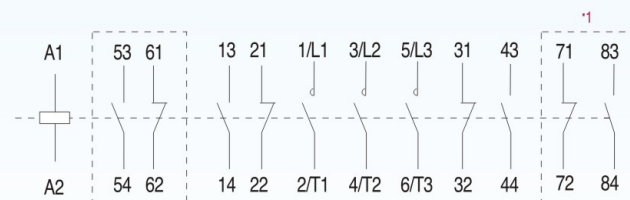
KMC-600

KMC-800



Circuit Diagram

KMC-300~800

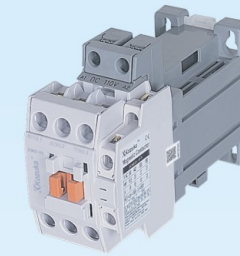


*1: Aux. Side mounted

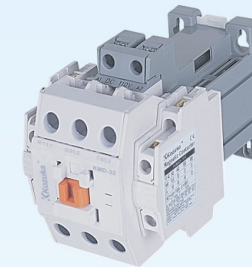
KMD series Magnetic Contactor (DC Operated)

Applications

KMD series DC Contactor is suitable for using in the circuits up to the rated voltage 690VAC 50Hz or 60Hz, Rated current up to 85A, For making & breaking, Frequently starting & machine-interlocking device etc, It becomes the delay contactor, Mechanical inter-locking contactor, Star-delta starter, With the thermal overload relay, It is combined into the electromagnetic starter. The contactor is produced according to IEC60947-4.



KMD-09



KMD-32



KMD-85

SPECIFICATIONS

Type	AC1 duty	AC3 duty				Aux.contact
		200-240V	380-440V	500-550V	690V	
KMD-9	25A	2.5kW 11A	4kW 9A	4kW 7A	4kW 5A	1 NO 1NC
KMD-12	25A	3.5kW 13A	5.5kW 12A	7.5kW 12A	7.5kW 9A	
KMD-18	40A	4.5kW 18A	7.5kW 18A	7.5kW 13A	7.5kW 9A	
KMD-22	40A	5.5kW 22A	11kW 22A	15kW 22A	15kW 18A	2 NO 2NC
KMD-32	50A	7.5kW 32A	15kW 32A	18.5kW 28A	18.5kW 21A	
KMD-40	60A	11kW 40A	18.5kW 40A	22kW 32A	22kW 25A	
KMD-50	80A	15kW 55A	22kW 50A	30kW 43A	30kW 33A	2 NO 2NC
KMD-65	100A	18.5kW 65A	30kW 65A	33kW 60A	37kW 47A	
KMD-75	110A	22kW 75A	37kW 75A	37kW 64A	45kW 47A	
KMD-85	135A	25kW 85A	45kW 85A	45kW 75A	45kW 52A	

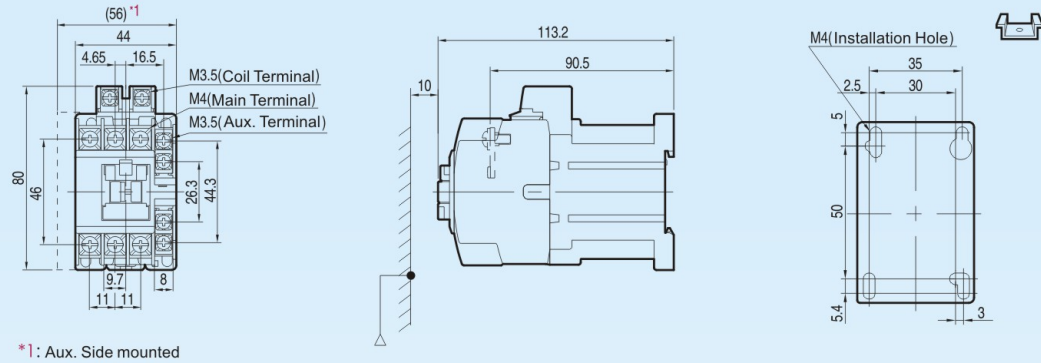
Magnetic Contactor (DC Operated)

KMD-9

KMD-12

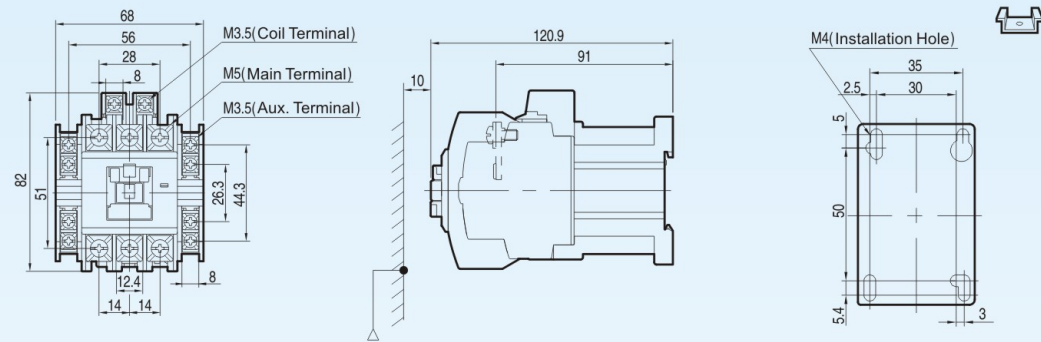
KMD-18

KMD-22



KMD-32

KMD-40

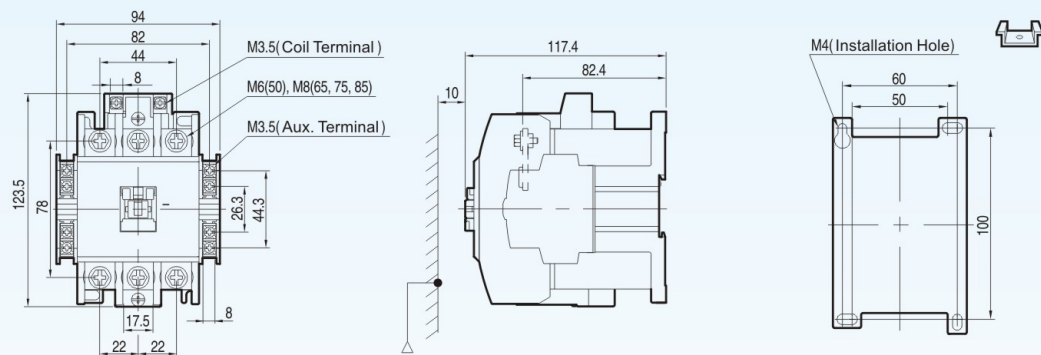


KMD-50

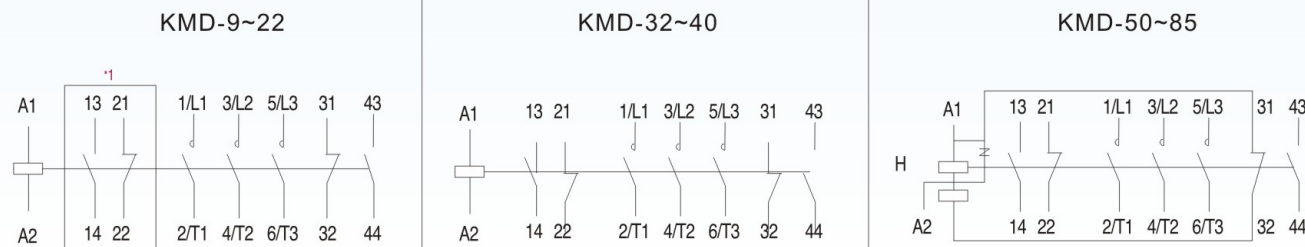
KMD-65

KMD-75

KMD-85



Circuit Diagram



*1: Aux. Side mounted

KTH series Thermal Overload Relay

Applications

This series of thermal overload relay can be used in the circuit of 50/60Hz. Rated insulation voltage 690V, Rated current 0.1-630A for protecting the phase break when the electric motor is overload. The relay has different mechanism and temperature compensation & can be plugged in KMC series AC contactor. The products comply with IEC60947-4.

SPECIFICATIONS

Type	Thermal component	
	Rated current(A)	Rated scale of rated current(A)
KTH-22K	0.14	0.10-0.16
	0.21	0.16-0.25
	0.33	0.25-0.40
	0.52	0.40-0.63
	0.82	0.63-1.0
	1.3	1.0-1.6
	2.1	1.6-2.5
	3.3	2.5-4.0
	5	4.0-6.0
	6.5	5.0-8.0
KTH-40K	7.5	6.0-9.0
	8.5	7.0-10.0
	11	9.0-13.0
	15	12.0-18.0
	19	16.0-22.0
	5	4.0-6.0
	6.5	5.0-8.0
	7.5	6.0-9.0
	8.5	7.0-10.0
	11	9.0-13.0
KTH-85K	15	12.0-18.0
	19	16.0-22.0
	22	18.0-26.0
	30	24.0-36.0
	34	28.0-40.0
	8.5	7.0-10.0
	11	9.0-13.0
	15	12.0-18.0
	19	16.0-22.0
	22	18.0-26.0
LR9-53F150	30	24.0-36.0
	34	28.0-40.0
	42	34.0-50.0
	55	45.0-65.0
	65	54.0-75.0
	74	63.0-85.0
	80	60-100
	120	90-150
	176	132-220
	265	200-330
LR9-73F330	400	300-500
	505	380-630



KTH-22K



KTH-40K



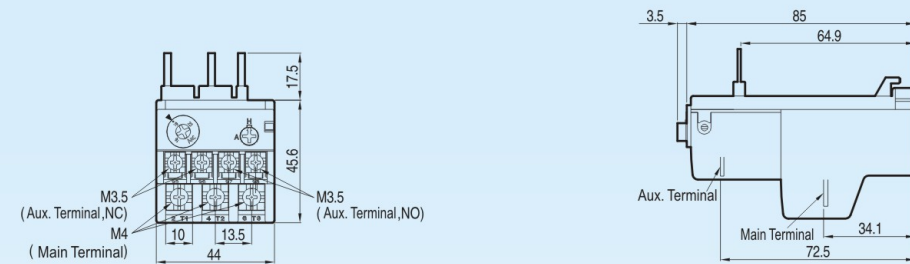
KTH-85K



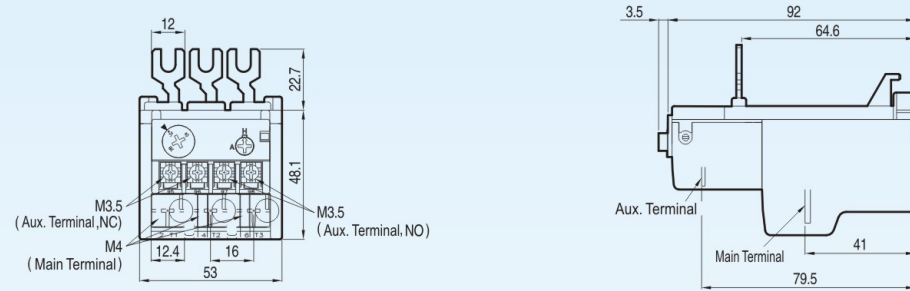
LR9-53F150

Thermal Overload Relay

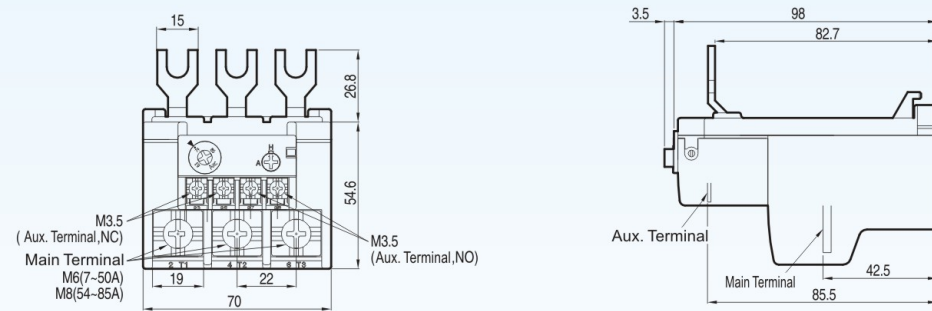
KTH-22K



KTH-40K

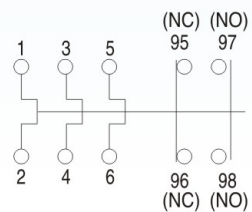


KTH-85K



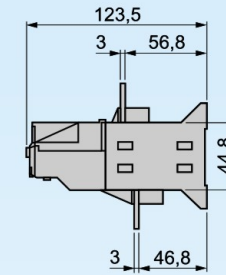
Circuit Diagram

KTH-22K,40K,85K

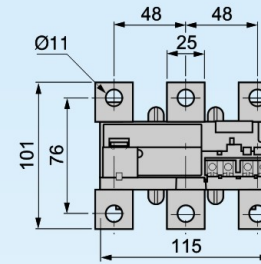


Thermal Overload Relay

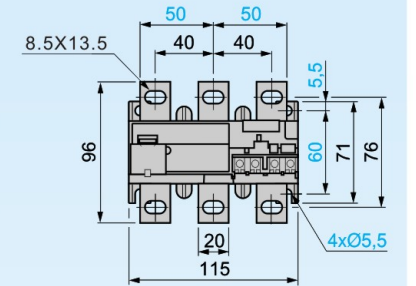
Common side view



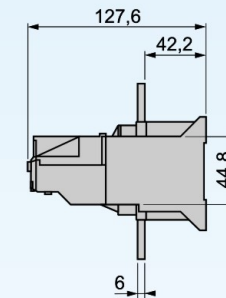
LR9-53F220



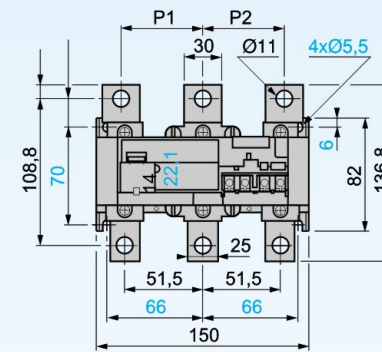
LR9-53F100/150



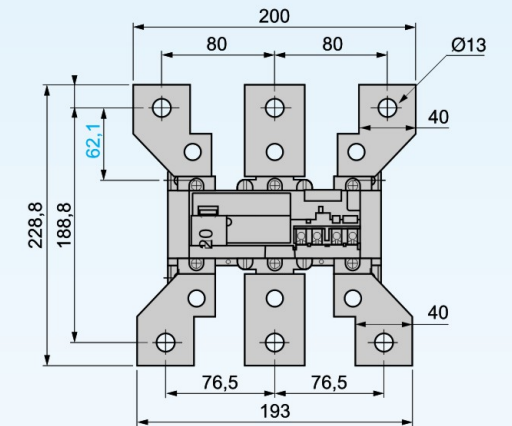
Common side view



LR9-73F330/500



LR9-73F630



	P1	P2
LR9-73F330	48	48
LR9-73F500	55	55

KAZ series

Thermal Overload Relay Mounting Unit

KMI series

Machanical Interlock Unit

SPECIFICATIONS

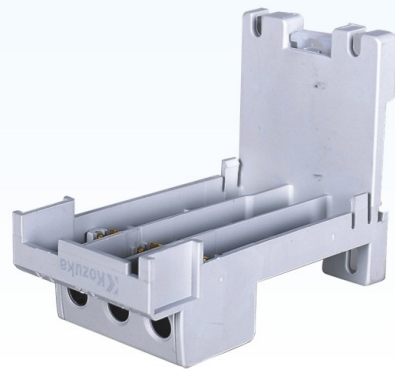
KAZ-22H	For Used With	KTH-22K
KAZ-40H	For Used With	KTH-40K
KAZ-85H	For Used With	KTH-85K
KMI-22-85	For Used With	KMC-9~KMC-85



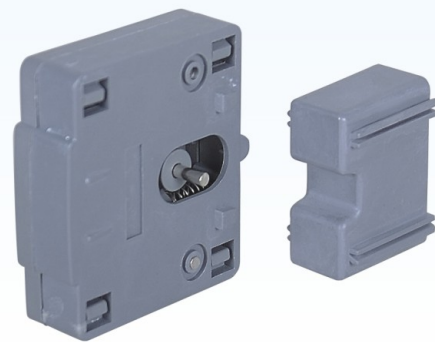
KAZ-22H



KAZ-40H



KAZ-85H

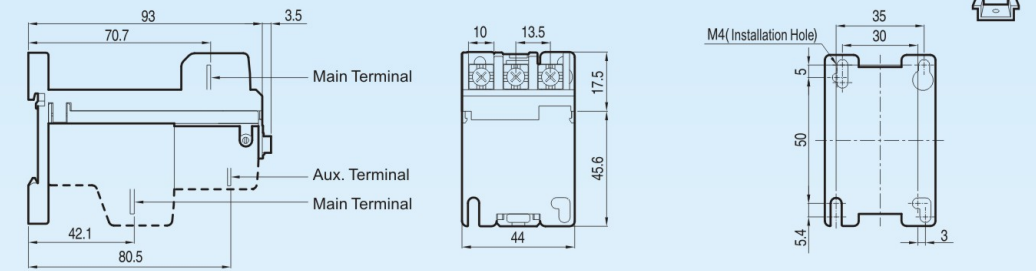


KMI-22~85

Thermal Overload Relay Mounting Unit

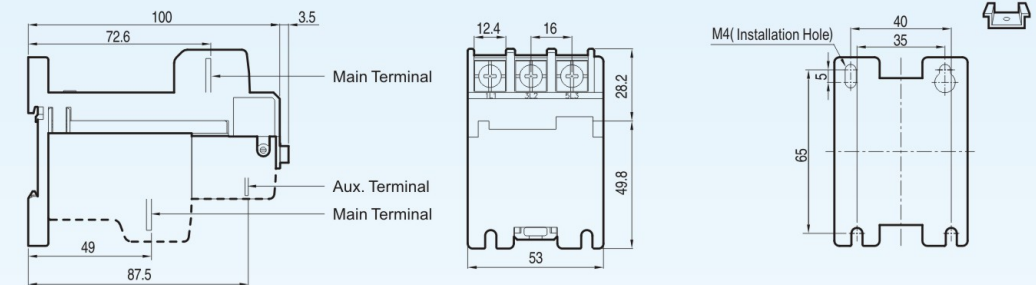
KAZ-22H

For Used With
KTH-22K



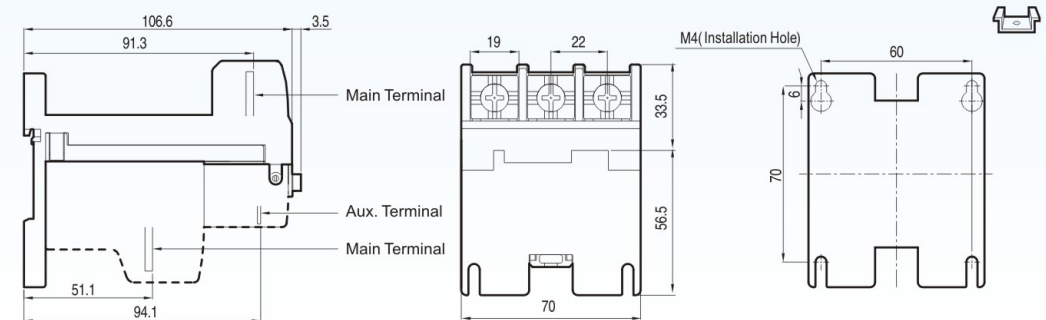
KAZ-40H

For Used With
KTH-40K



KAZ-85H

For Used With
KTH-85K



AU series Auxiliary Contact Block

Applications

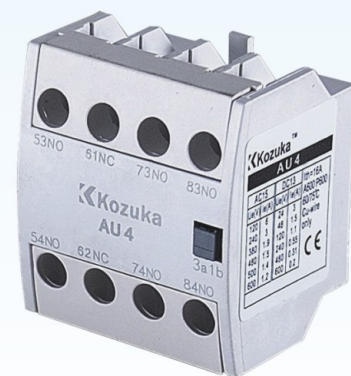
AU series auxiliary contact blocks are installed on the front or side of KMC/KMD series AC/DC contactor respectively for expanding the couples of auxiliary contacts points.

SPECIFICATIONS

Type	Mounting	Type of contact
AU1-11	Side	1NO+1NC
AU2-20	Front	2NO
AU2-02	Front	2NC
AU2-11	Front	1NO+1NC
AU4-40	Front	4NO
AU4-04	Front	4NC
AU4-22	Front	2NO+2NC
AU4-31	Front	3NO+1NC
AU4-13	Front	1NO+3NC



AU2



AU4



AU1

KCL series Contactor Coil

Applications

KCL Series coil is applicable to KMC/KMD series AC/DC contactors coil changing and fixing.

SPECIFICATIONS

KCL-09~40	24V/48V/110V/240V/415V AC	Used for contactor KMC-09~KMC-40
KCL-50~85	24V/48V/110V/240V/415V AC	Used for contactor KMC-50~KMC-85
KCL-09~40DC	24V/48V/110V/220V DC	Used for contactor KMD-09~KMD-40



KCL-09~40



KCL-50~85



KCL-09~40DC