



WANAKA IP65 WEATHERPROOF Isolator Switches

A variety of different enclosures fitted with switch-disconnectors are available. All models are equipped as standard with three switched poles, an unswitched neutral and safety earth contact. A switched neutral and/or at least one normally open break/late make and one normally closed auxiliary contact can be added to order.

Technical Features :

- Rigid enclosures
- Ample space for wiring
- Padlocking facilities
- Excellent switching capacity
- Disconnecting property acc. to SS4280605 No.2 to 660V and EN 60947 to 750V
- Finger protection acc. to DIN 57106 / VDE 0106 T:100
- Open terminals and captive terminal screws
- Option for additional contacts



Certificate Approved By :

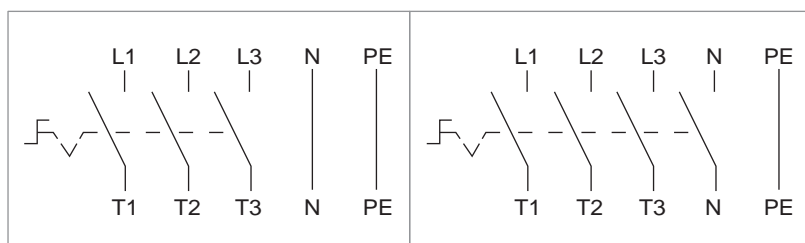


Isolator Switches Accessories :



Specification :

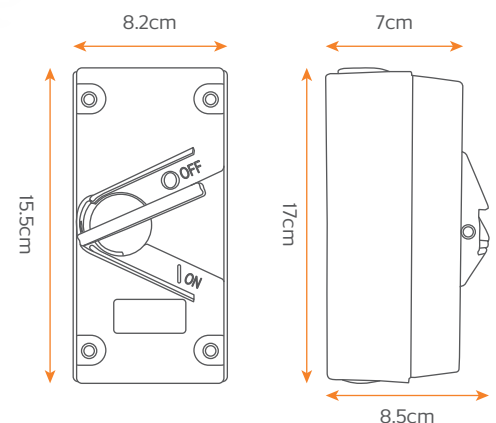
Model Number	Rated Current	BS Motor Rating AC3 380V/440V	IP Rating
WP 320	20A 3P	5.5kW	IP65
WP335	35A 3P	11.0kW	
WP363	63A 3P	22.0kW	



3 Pole + N + E

4 Pole + E

Dimension :



Model Number				WP 320	WP 335	WP 363
Rated operational voltage U						
IEC/EN/VDE/SEV		V		690	690	690
UL/CSA		V		600	600	600
main switch: Isol. voltage up to		V		750	750	690
Rated uninterrupted current I						
IEC/EN/VDE		A		20	35	63
Rated operational current I						
AC-21A	IEC/EN		A	20	35	63
AC-1	SEV		A	20	35	63
UL/CSA ampere rating		A		20	35	63
Rated operational power at 50 to 60Hz						
AC-23A	IEC/EN/VDE					
	3 phase	220-240V	kW	5,5	7,5	15
	3 pole	380-440V	kW	7,5	15	30
		500-690V	kW	7,5	11	30
AC-3	IEC/EN/VDE					
	3 phase	220-240V	kW	4	5,5	11
	3 pole	380-440V	kW	5,5	11	22
		500-690V	kW	5,5	11	22
DOL-rating	UL/CSA					
	3 phase	120V	HP	2	4	6
	3 pole	240V	HP	5	9	15
		480V	HP	10	18	30
		600V	HP	15	24	40
Rated breaking capacity						
AC-23A/AC-3 motor switch	220-240V		A	300	420	500
	380-440V		A	300	420	500
	500-690V		A	190	250	270
Max. fuse size(gL)			A	35	63/50	63/50
Rated fused short-circuit current			kA	15	15/25	15/25
Terminal cross section						
Single/multiple wire	min. mm ²			1,0	4	4
	max. mm ²			10	16	16
Fine-strand wire with sleeve	min. mm ²			0,75	2,5	2,5
	max. mm ²			6	10	10
American wire gauge	AWG			8	8	6

Auxiliary Module

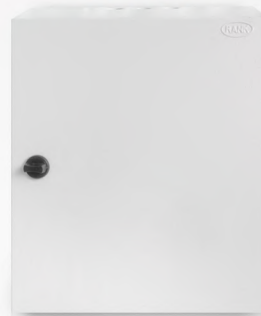
Rated operational voltage U		V	500
Rated uninterrupted current I		A	16
Rated operational current I			
AC-15	IEC/EN	220-240V	A
		380-440V	
UL/CSA ampere rating		A	10 Heavy Duty 600V AC
Terminal cross section			
Single/multiple wire	min. mm ²		1
Fine-strand wire with sleeve	max. mm ²		1,5
American wire gauge	AWG		16

METAL BOARD

Metal Product



Front View



Back View



Product Dimension



Model	Size (W x H x D)
RK-685	6" x 8" x 5"
RK-8126	8" x 12" x 6"
RK-10106	10" x 10" x 6"
RK-12146	12" x 14" x 6"
RK-141010	14" x 10" x 10"
RK-14166	14" x 16" x 6"

Model	Size (W x H x D)
RK-16206	16" x 20" x 6"
RK-18248	18" x 24" x 6"
RK-20248	20" x 24" x 8"
RK-24248	24" x 24" x 8"
RK-28328	28" x 32" x 8"